

### Description

The DYNICS IRONMAN Industrial Station provides a high quality enclosure at a low cost. The FX Monitor Series is a bracket mounted competitive drop-in replacement interface module.

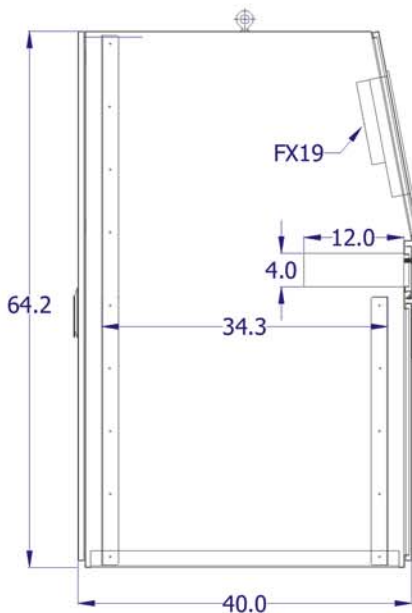
The FX Series can be coupled with the various PIX, BIX, MTX3, HMP4, FGX7, and FGE7 chassis to form a complete industrial computer solution in a slim panel PC format.

### Key Features

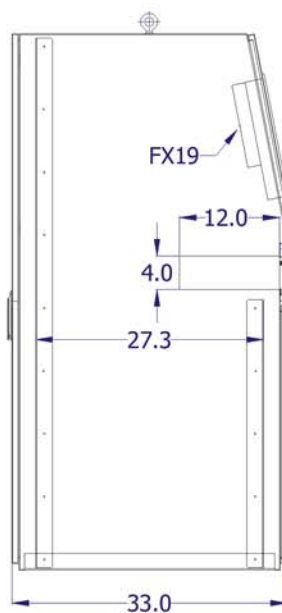
- Rackmount Server drawers options
- Heating and Cooling options available
- Configurable cable and internal component options
- Offered in touchscreen 17", 19" and 22" TFT LCD sizes/bracket mount system
- Modifications available



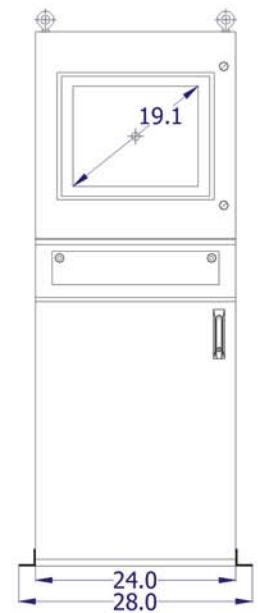
### Mechanical Drawing



40" Depth IRONMAN model



33" Depth IRONMAN model



For more information email us at: [sales@dynics.com](mailto:sales@dynics.com)

### Dimensions

#### DISPLAY FRONT DIMENSIONS

	FX17	FX19	FX22
Height	14.0"	15.4"	15.3"
Width	17.8"	18.7"	22.4"

#### PANEL CUTOUT DIMENSIONS

	FX17	FX19	FX22
Height	12.9"	14.3"	14.0"
Width	16.7"	17.7"	21.1"

#### IRONMAN DIMENSIONS

	33	40
Height	24.0"	24.0"
Width	64.2"	64.2"
Depth	33.0"	40.0"

- Painted Steel OR Stainless Steel Construction
- Rugged Modular Construction
- Gasketed Doors and Openings
- Lockable Doors (Barrel Key, Wing or Slot Latch Options)
- Keyboard Drawer
- Customized Cable Configurations
- Mounting Sub-Plate
- DIN Rail Mounting
- Heat Exchanger / Air Conditioner / Attached Filtered Fan
- Touchscreen Displays

### Custom Models



All measurements are in inches and pounds, unless noted. Picture and drawings are not to scale.  
Dynics reserves the right to change, modify, upgrade or discontinue to its discretion any part of this datasheet without any prior notice.

Visit us online at:  
[www.dynics.com](http://www.dynics.com)

DYNICS

4330 Varsity Drive, Ann Arbor, MI 48108  
Ph. 734.677.6100 • Fax: 734-677-6105

Proudly made in U.S.A. ★