

Description

The IC Display Module is a stud-mounted drop-in replacement with the DYNICS "Quick Release" bezel system for simple serviceability and replacement.

The IC and ITX3 combination is a perfect replacement of Legacy IC-ITX Ann Arbor Technology workstations.

Key Features

- Rugged modular steel construction built to order
- Low/Medium Power with a Mini-ITX board
- Configured in models with 3 PCI Slots and 15" & 17" displays

Specifications



IC MONITOR DISPLAY

SPECS	IC15	IC17
Display Size	15.1" TFT LCD	17.1" TFT LCD
Resolution	XGA 1024 x 768	SXGA 1280 x 1024
Viewing Angle	H:-70°/+70°,V:-65°/+70°	H:-70°/+70°,V:-65°/+70°
Contrast Ratio	700:1	800:1
Brightness	350 nits	300 nits
Bulb Life	CCFT Back Life estimated to be about 50,000 hours	
Interface Lens	5-Wire analog resistive touch sensor OR Protective lexan lens	
Mounting Bezel	NEMA 4 Powder coated aluminum OR NEMA 4X stainless steel	
Warranty	24 Month Limited Warranty. Extended warranty available, contact us for more details	

ITX3 CHASSIS MODULE

SPECS	ITX3
Expansion Slots	3 Slots
System	Mini-ITX Core 2 Duo: 2x Ethernet 1.0Gb, 2x USB 2.0, 2x RS232 Ports, 2x PS/2, Audio I/O
CPU	Core Solo Mobile, Core Duo Mobile, Core 2 Duo Mobile
Operating System	Windows XP Pro, Windows XP Embedded, Windows 2000, Windows Vista, Windows 7, ROMDOS
Memory	1.0Gb to 2Gb DDR or DDR2
Storage Drives	2.5" SATA or PATA Hard Drives / 2.5" Solid State Drives / Industrial Compact Flash Cards
Media Drives	Slim DVD/DVD-RW/CD/CD-RW (Mounting depth is increased 0.60" with rear mounted thin CD/DVD Drive)
Power Supply	1U 120~240 VAC Power Supply or Open Frame Fanless 24VDC Power Supply
Temperature	0°~50°C (32°~122°F) Operating / -25°~60°C (-4°~140°F) Non-Operating
Relative Humidity	10% ~ 95% Non-Condensing
Shock	10G Operating / 15G Non-Operating
Vibration	1.0G from 57-2000 Hz Operating / 2.5G from 57-2000 Hz Non-Operating
Warranty	24 Month Limited Warranty. Extended Warranty Available, Contact Us For More Details

IC-ITX3



Integrated Industrial Panel PC

DATASHEET

Dimensions



		DISPLAY FRONT DIMENSIONS	
		IC15	IC17
Height		13.6"	15.0"
Width		17.2"	18.0"

		WORKSTATION WEIGHTS	
		IC15	IC17
ITX3		23.40 lbs	28.40 lbs



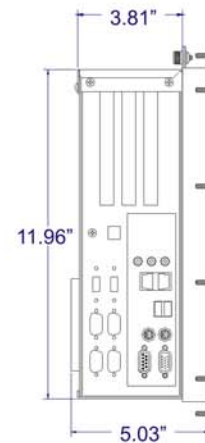
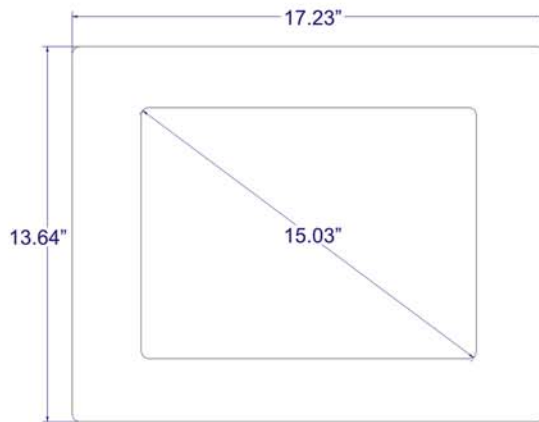
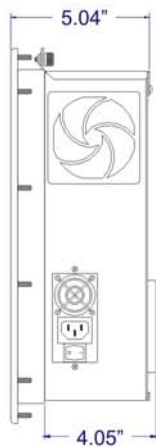
		PANEL CUTOUT DIMENSIONS	
		IC15	IC17
Height		12.6"	14.0"
Width		16.2"	17.0"

		MOUNTING DEPTH DIMENSIONS	
		IC15	IC17
ITX3		5.03"	5.03"

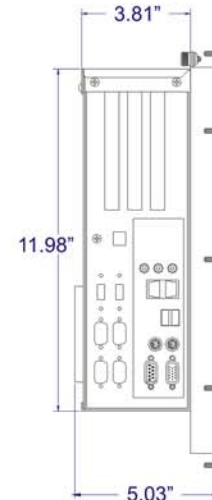
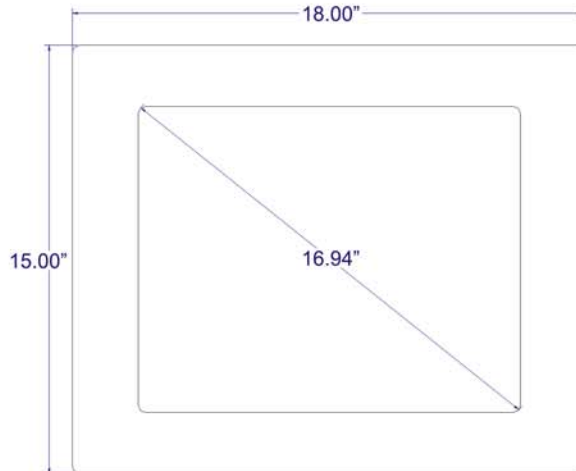
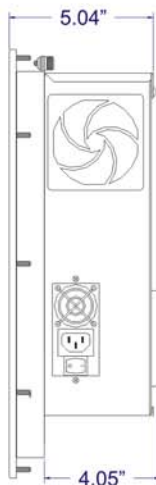
* CD/DVD rear mounting increases by 0.60".

Mechanical Drawing

IC15-ITX3



IC17-ITX3



All measurements are in inches and pounds, unless noted. Picture and drawings are not to scale.

Estimated weight may change depending on additional options.

Dynics reserves the right to change, modify, upgrade or discontinue to its discretion any part of this datasheet without any prior notice.

For more information email us at: sales@dynics.com

Visit us online at:

www.dynics.com

DYNICS

4330 Varsity Drive, Ann Arbor, MI 48108
Ph. 734.677.6100 • Fax: 734-677-6105

