

Description

The IC front display module is a stud-mounted competitive drop-in replacement front interface module with the "Quick Release" bezel system coupled with the HMP4 low power PC and PCISA board.

All IC-HMP4 integrated industrial panel PCs are designed for quick installation and service. HMP4 are compact PC modules with passive backplanes.

Key Features

- Rugged modular steel construction built to order
- Small and compact computer system for most industrial environments
- Configured in models with 4 PCI Slots

Specifications



IC MONITOR DISPLAY

SPECS	IC10	IC12
Display Size	10.4" TFT LCD	12.1" TFT LCD
Resolution	SVGA 800 x 600	SVGA 800 x 600
Viewing Angle	H: -40°/+60°, V: -60°/+60°	H: -70°/+70°, V: -60°/+50°
Contrast Ratio	500:1	500:1
Brightness	400 nits	400 nits
Bulb Life	CCFT Back Life estimated to be about 50,000 hours	
Interface Lens	5-Wire analog resistive touch sensor OR Protective lexan lens	
Mounting Bezel	NEMA 4 Powder coated aluminum OR NEMA 4X stainless steel	
Warranty	18 Month Limited Warranty. Extended warranty available, contact us for more details	

HMP4 CHASSIS MODULE

SPECS	HMP4
Expansion Slots	4 Slots: [1 System + 3 PCI] OR [1 System + 3 ISA]
System	PCISA Board: 2x Ethernet 10/100, 3x USB 2.0, 2x RS232 Ports (RS422/485 Options), 1x PS/2
CPU	Celeron Fanless
Operating System	Windows XP Pro, Windows XP Embedded, Windows 2000, Windows Vista, Windows 7, ROMDOS
Memory	1.0Gb to 2Gb DDR or DDR2
Storage Drives	2.5" SATA or PATA Hard Drives / 2.5" Solid State Drives / Industrial Compact Flash Cards
Media Drives	Slim DVD/DVD-RW/CD/CD-RW (Mounting depth is increased 0.60" with rear mounted thin CD/DVD Drive *)
Power Supply	1U 120~240 VAC Power Supply or Open Frame Fanless 24VDC Power Supply
Temperature	0°~50°C (32°~122°F) Operating / -25°~60°C (-4°~140°F) Non-Operating
Relative Humidity	10% ~ 95% Non-Condensing
Shock	10G Operating / 15G Non-Operating
Vibration	1.0G from 57-2000 Hz Operating / 2.5G from 57-2000 Hz Non-Operating
Warranty	18 Month Limited Warranty. Extended Warranty Available, Contact Us For More Details

* Rear mounting increases only for BIX0 and BIX1

IC-HMP4



Integrated Industrial Panel PC

DATASHEET

Dimensions



DISPLAY FRONT DIMENSIONS

	IC10	IC12
Height	10.0"	12.5"
Width	13.0"	14.8"



PANEL CUTOUT DIMENSIONS

	IC10	IC12
Height	8.9"	11.5"
Width	11.9"	13.8"

MOUNTING DEPTH DIMENSIONS

	IC10	IC12
HMP4	6.38"	6.38"

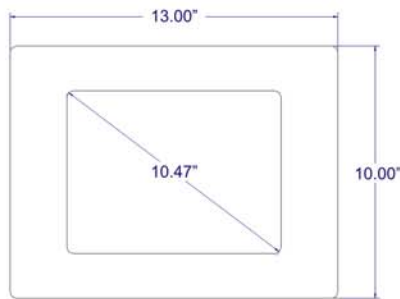
* CD/DVD rear mounting increases by 0.60"

WORKSTATION WEIGHTS

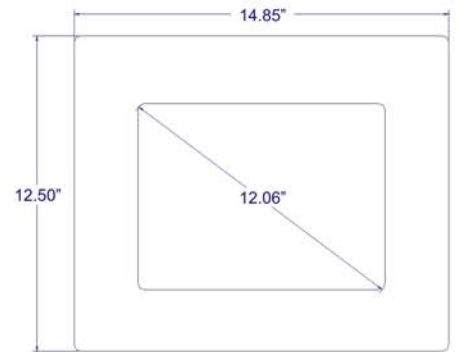
	IC10	IC12
HMP4	23.15 lbs	24.50 lbs

Mechanical Drawing

IC10-HMP4



IC12-HMP4



All measurements are in inches and pounds, unless noted. Picture and drawings are not to scale.
 Estimated weight may change depending on additional options.
 Dynics reserves the right to change, modify, upgrade or discontinue to its discretion any part of this datasheet without any prior notice.

For more information email us at: sales@dynics.com

Visit us online at:
www.dynics.com

DYNICS
 4330 Varsity Drive, Ann Arbor, MI 48108
 Ph. 734.677.6100 • Fax: 734-677-6105

