

Description

The IC front display module is a stud mounted competitive drop-in replacement front interface module with "Quick Release" bezel system

The FGX7 is an industrial computer module, passive backplane, up to 7 slots and low/medium power PICMG or PCISA board. Display bezel comes in two options: Stainless steel or black powder coated.

Key Features

- Rugged modular steel construction built to order
- Passive backplane with low/medium power PICMG or PCISA board
- Configured in models with 7 Slots

Specifications



IC MONITOR DISPLAY

SPECS	IC15	IC17
Display Size	15.1" TFT LCD	17.1" TFT LCD
Resolution	XGA 1024 x 768	SXGA 1280 x 1024
Viewing Angle	H:-70°/+70°,V:-65°/+70°	H:-70°/+70°,V:-65°/+70°
Contrast Ratio	700:1	800:1
Brightness	350 nits	300 nits
Bulb Life	CCFT Back Life estimated to be about 50,000 hours	
Interface Lens	5-Wire analog resistive touch sensor OR Protective lexan lens	
Mounting Bezel	NEMA 4 Powder coated aluminum OR NEMA 4X stainless steel	
Warranty	24 Month Limited Warranty. Extended warranty available, contact us for more details	

FGX7 CHASSIS MODULE

SPECS	FGX7
Expansion Slots	7 Slots: [1 System + 3 ISA + 3 PCI] OR [1 System + 2 ISA + 4 PCI]
System	PICMG Core 2 Duo: 2x Ethernet 1.0Gb Ports, 2x USB 2.0, 2x RS232 Ports, 1x PS/2 PCISA Board: 2x Ethernet 1.0Gb, 3x USB 2.0, 2x RS232 Ports (RS422/485 Options), 1x PS/2
CPU	Core Solo Mobile, Core Duo Mobile, Core 2 Duo Mobile, Celeron Fanless
Operating System	Windows XP Pro, Windows XP Embedded, Windows 2000, Windows Vista, Windows 7, ROMDOS
Memory	1.0Gb to 2Gb DDR or DDR2
Storage Drives	2.5" SATA or PATA Hard Drives / 2.5" Solid State Drives / Industrial Compact Flash Cards
Media Drives	Slim DVD/DVD-RW/CD/CD-RW
Power Supply	1U 120~240 VAC Power Supply or Open Frame Fanless 24VDC Power Supply
Temperature	0°~50°C (32°~122°F) Operating / -25°~60°C (-4°~140°F) Non-Operating
Relative Humidity	10% ~ 95% Non-Condensing
Shock	10G Operating / 15G Non-Operating
Vibration	1.0G from 57-2000 Hz Operating / 2.5G from 57-2000 Hz Non-Operating
Warranty	18 Month Limited Warranty. Extended Warranty Available, Contact Us For More Details

IC-FGX7



Integrated Industrial Panel PC

DATASHEET

Dimensions



DISPLAY FRONT DIMENSIONS

	IC15	IC17
Height	13.6"	15.0"
Width	17.2"	18.0"

MOUNTING DEPTH DIMENSIONS

	IC15	IC17
FGX7	7.3"	7.3"



PANEL CUTOUT DIMENSIONS

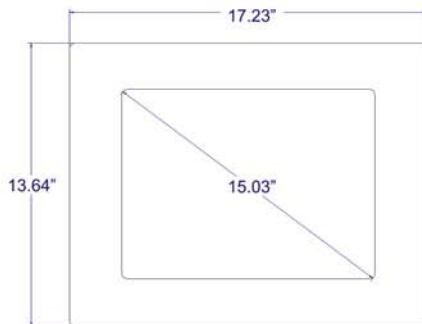
	IC15	IC17
Height	12.6"	14.0"
Width	16.2"	17.0"

WORKSTATION WEIGHTS

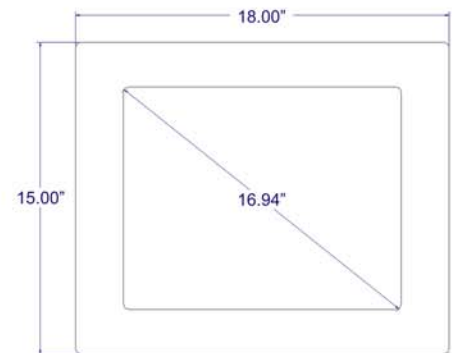
	IC15	IC17
FGX7	41.35 lbs	46.25 lbs

Mechanical Drawing

IC15-FGX7



IC17-FGX7



All measurements are in inches and pounds, unless noted. Picture and drawings are not to scale.
 Estimated weight may change depending on additional options.
 Dynics reserves the right to change, modify, upgrade or discontinue to its discretion any part of this datasheet without any prior notice.

For more information email us at: sales@dynics.com

Visit us online at:
www.dynics.com

DYNICS

4330 Varsity Drive, Ann Arbor, MI 48108
 Ph. 734.677.6100 • Fax: 734-677-6105

