

IC MONITOR



Industrial Monitor Display

DATASHEET

Description

The IC Monitor Series is a stud-mounted drop-in replacement front interface module for Legacy Dynics M15 & M17 monitors and utilizes the "Quick Release" bezel system for simple serviceability.

The IC Series can be coupled with the various PIX, MTX3, FGX7, ATX7, and MAF4 chassis to form a complete industrial computer solution in a slim panel PC format.

Key Features

- "Quick Release" system for simple service and replacement
- Stud mounted with two bezel options: stainless steel and black powder coated
- Available in 10", 12", 15", 17" and 19" TFT LCD sizes



Specifications

IC MONITORS					
SPECS	IC10	IC12	IC15	IC17	IC19
Display Size	10.4" TFT LCD	12.1" TFT LCD	15.1" TFT LCD	17.1" TFT LCD	19" TFT LCD
Resolution	SVGA 800 x 600	SVGA 800 x 600	XGA 1024 x 768	SXGA 1280 x 1024	SXGA 1280 x 1024
Viewing Angle	H: -40°/+60°, V: -60°/+60°	H: -70°/+70°, V: -60°/+50°	H: -70°/+70°, V: -65°/+70°	H: -70°/+70°, V: -65°/+70°	H: -89°/+89°, V: -89°/+89°
Contrast Ratio	500:1	500:1	700:1	800:1	1000:1
Brightness	400 nits	400 nits	350 nits	300 nits	300 nits
Bulb Life	CCFT Back Life estimated to be about 50,000 hours				
Interface Lens	5-Wire analog resistive touch sensor OR Protective lexan lens				
Mounting Bezel	NEMA 4 Powder coated aluminum OR NEMA 4X stainless steel				
Warranty	24 Month Limited Warranty. Extended warranty available, contact us for more details				

Bezels



NEMA 4 Black Powder Coat



NEMA 4X Stainless Steel

For more information email us at: sales@dynics.com

Visit us online at:
www.dynics.com

DYNICS

4330 Varsity Drive, Ann Arbor, MI 48108
Ph. 734.677.6100 • Fax: 734-677-6105



IC MONITOR



Industrial Monitor Display

DATASHEET

Dimensions



FRONT DIMENSIONS

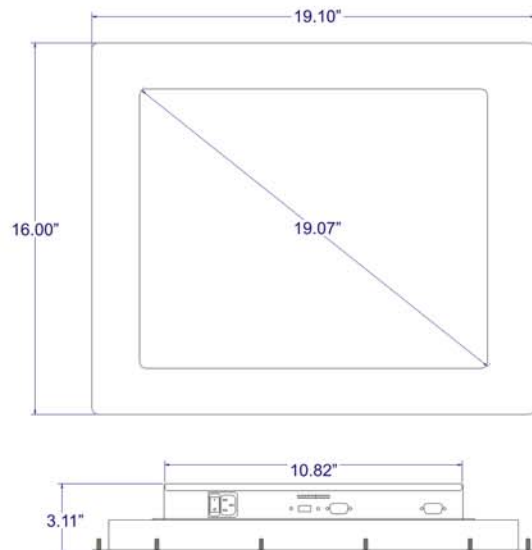
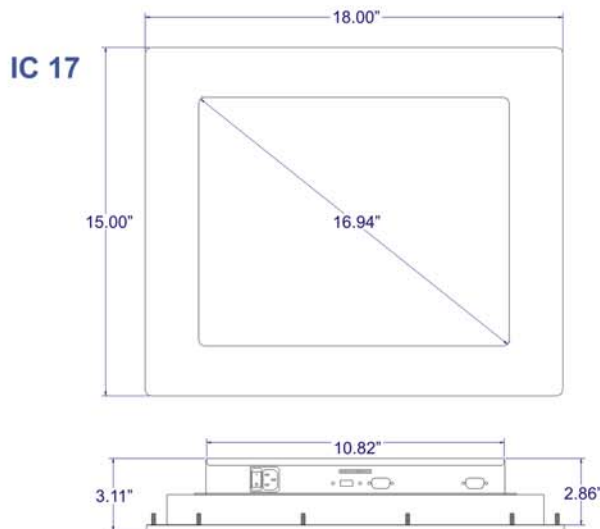
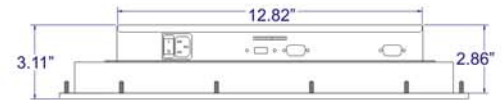
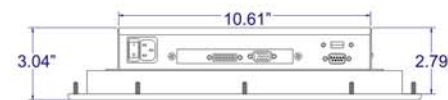
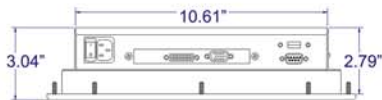
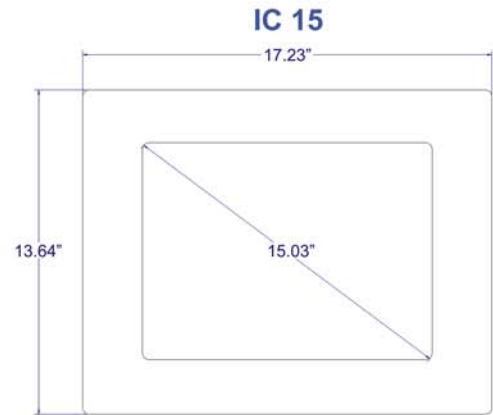
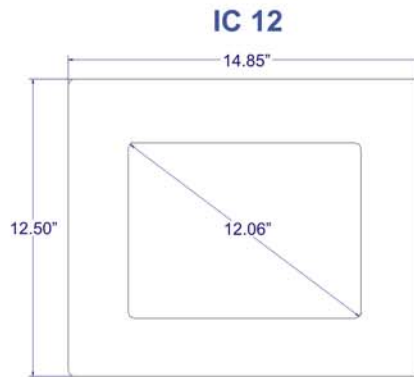
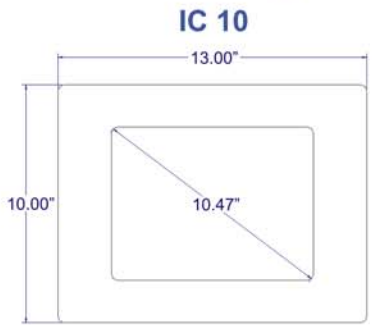
	IC10	IC12	IC15	IC17	IC19
Height	10.0"	12.5"	13.6"	15.0"	16.0"
Width	13.0"	14.8"	17.2"	18.0"	19.1"
Depth	2.7"	2.7"	2.8"	2.8"	2.8"
Weight	10.25 lbs	13.75 lbs	15.35 lbs	20.25 lbs	24.55 lbs



PANEL CUTOUT DIMENSIONS

	IC10	IC12	IC15	IC17	IC19
Height	8.7"	10.9"	12.1"	13.5"	14.3"
Width	11.7"	13.2"	15.9"	16.2"	17.6"

Mechanical Drawing



All measurements are in inches and pounds, unless noted. Picture and drawings are not to scale.
 Estimated weight may change depending on additional options.
 Dynics reserves the right to change, modify, upgrade or discontinue to its discretion any part of this datasheet without any prior notice.

Visit us online at:
www.dynics.com

DYNICS

4330 Varsity Drive, Ann Arbor, MI 48108
 Ph. 734.677.6100 • Fax: 734-677-6105

