

Description

FGE7 industrial computers are rugged modular steel construction built to order. Available with a passive backplane, and up to 6 slots.

Add your choice of operating systems and custom configurations to get one of our most versatile and durable systems to be used during continued industrial working conditions.



Key Features

- Rugged modular steel construction built to order
- It can be coupled with the FX and IC Interface Module
- Passive backplane, Medium power PICMG/PCISA board

Specifications

FGE7 CHASSIS MODULE

SPECS	FGE7
Expansion Slots	6 Slots
System	PICMG Core 2 Duo: 2x Ethernet 1.0Gb Ports, 2x USB 2.0, 2x RS232 Ports, 2x PS/2, Audio I/O PCISA Board: 2x Ethernet 1.0Gb, 3x USB 2.0, 2x RS232 Ports, 2x PS/2. Audio I/O
CPU	Core 2 Duo Mobil, Core Solo Mobile, Celeron Fanless
Operating System	Windows XP Pro, Windows XP Embedded, Windows 2000, Windows Vista, Windows 7, ROMDOS
Memory	1.0Gb to 2Gb DDR or DDR2
Storage Drives	2.5" SATA or PATA Hard Drives / 2.5" Solid State Drives / Industrial Compact Flash Cards
Media Drives	Slim DVD/DVD-RW/CD/CD-RW
Power Supply	110~240 VAC 250 Watt Power Supply, Approximately 75 Watts System Consumption
Temperature	0°~50°C (32°~122°F) Operating / -25°~60°C (-4°~140°F) Non-Operating
Relative Humidity	10% ~ 95% Non-Condensing
Shock	10G Operating / 15G Non-Operating
Vibration	1.0G from 57-2000 Hz Operating / 2.5G from 57-2000 Hz Non-Operating
Warranty	24 Month Limited Warranty. Extended Warranty Available, Contact Us For More Details

For more information email us at: sales@dynics.com

FGE7

Industrial Computer



DATASHEET

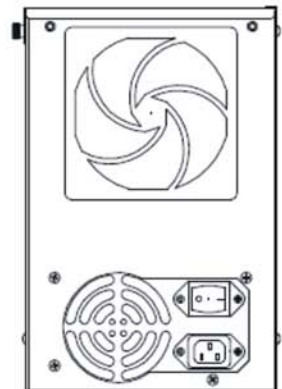
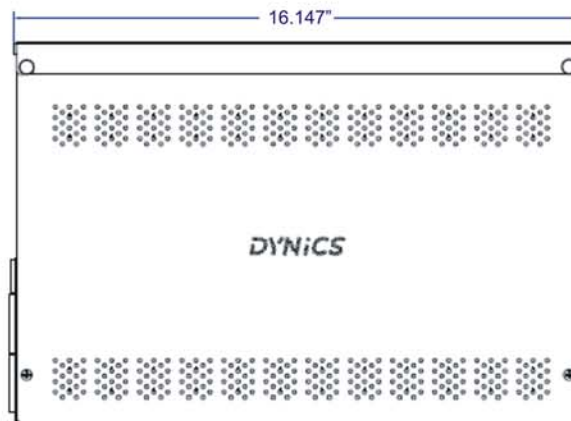
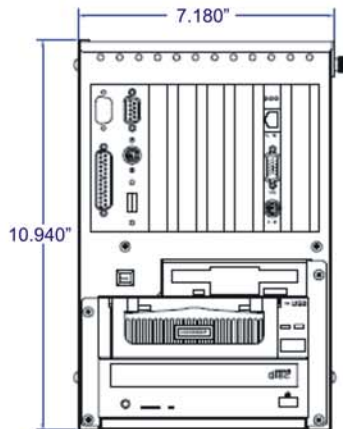
Dimensions



FGE7	
Height	10.9"
Width	7.2"
Depth	16.1"
Weight	24.94 lbs



Mechanical Drawing



All measurements are in inches and pounds, unless noted. Picture and drawings are not to scale.
Estimated weight may change depending on additional options.
Dynics reserves the right to change, modify, upgrade or discontinue to its discretion any part of this datasheet without any prior notice.

For more information email us at: sales@dynics.com

Visit us online at:
www.dynics.com

DYNICS
4330 Varsity Drive, Ann Arbor, MI 48108
Ph. 734.677.6100 • Fax: 734-677-6105

