

E-STATION SERIES



Industrial HMI Station

DATASHEET

Description

The stand alone Industrial Enclosure e-Station Series provides a high quality enclosure at a low-cost and it is flexible enough to be adapted to any particular industrial requirements.

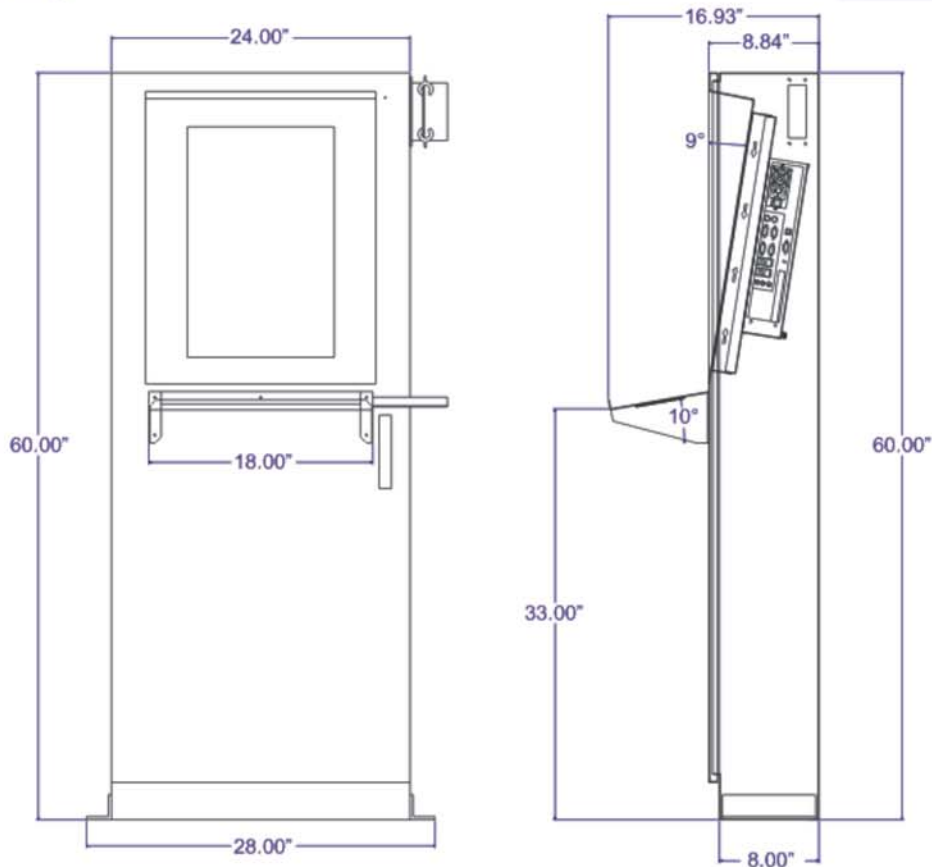
Functionality and versatility are characteristics found in the ES Series. From standard "off the shelf" designs to all stainless steel construction, it provides solutions to a wide variety of applications



Key Features

- Accommodates FX Monitor Series: 15", 17", 19" and 22"
- Painted Steel OR Stainless Steel Construction
- Configurable Cable Connections
- Gasketed Doors and Openings
- Quick Disconnect Monitor Display
- Top and Bottom Lockable Door
- Door Latch Options

Mechanical Drawing



For more information email us at: sales@dynics.com

Visit us online at:
www.dynics.com

DYNICS

4330 Varsity Drive, Ann Arbor, MI 48108
Ph. 734.677.6100 • Fax: 734-677-6105



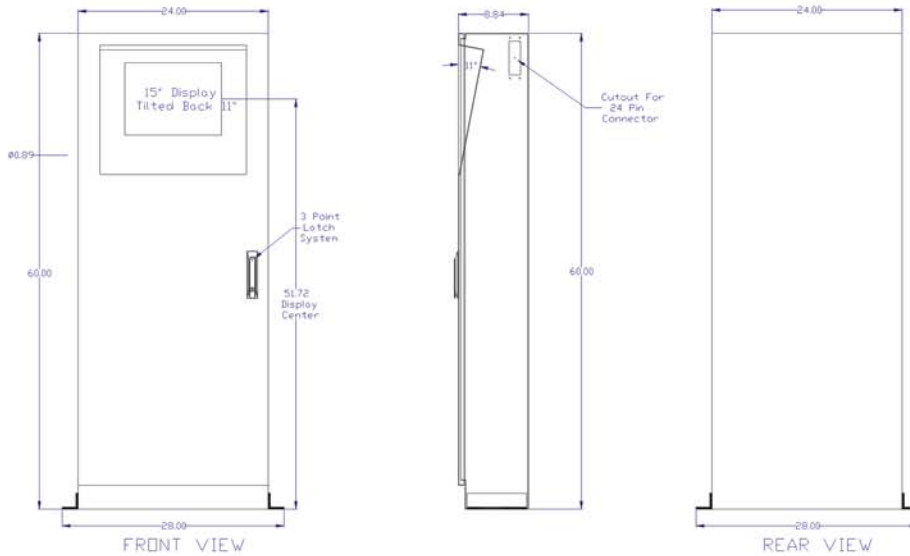
E-STATION SERIES



Industrial HMI Station

DATASHEET

Dimensions



Additional Options

- Front Door Lockable Latch
- Door Latch: Barrel Key, Wing or Slot Option
- Tilted Display Cavity
- Bolt-On Floor Plate
- Keyboard Tray
- Heat Exchanger / Fan & Filter Kit
- With or Without Keyboard Tray
- Stainless Steel, Black Powder Coat Finish
- Custom Colors and Finishes

Customization is available. Dimensions will change according to monitor size and position: landscape or portrait.

Custom Models



All measurements are in inches and pounds, unless noted. Picture and drawings are not to scale. Estimated weight may change depending on additional options. Dynics reserves the right to change, modify, upgrade or discontinue to its discretion any part of this datasheet without any prior notice.

For more information email us at: sales@dynics.com

Visit us online at:
www.dynics.com

DYNICS

4330 Varsity Drive, Ann Arbor, MI 48108
Ph. 734.677.6100 • Fax: 734-677-6105

